

XX142-00-01

# SURVEYORVFT

MODEL SVFT-UCM  
UNIVERSAL CEILING MOUNT FOR THE  
SURVEYORVFT CAMERA DOME SYSTEM



Copyright © 2004 Vicon Industries Inc. All rights reserved.  
Product specifications subject to change without notice.  
Vicon and its logo are registered trademarks of Vicon Industries Inc.

VICON INDUSTRIES INC., 89 ARKAY DRIVE, HAUPPAUGE, NEW YORK 11788  
TEL: 631-952-CCTV (2288) FAX: 631-951-CCTV (2288) TOLL FREE: 800-645-9116  
24-Hour Technical Support: 800-34-VICON (800-348-4266)  
UK: +44 (0) 1489 566300 WEB: [www.vicon-cctv.com](http://www.vicon-cctv.com)



# Installation & Operation Manual





Dear Valued Customer:

Thank you for selecting Vicon systems and products for your video needs.

Since Vicon's beginning in 1967, our only business has been the design, engineering, and production of the highest quality video systems and equipment for use in a wide variety of security, safety, control, surveillance, and communication applications.

We stand behind the quality and dependability of every product with an industry leading Beneficial Use warranty.

If you are not satisfied with a Vicon product or service, I would like to know. Your complete satisfaction is the mission of every Vicon employee.

Sincerely,

A handwritten signature in black ink, appearing to read "Kenneth M. Darby". The signature is fluid and cursive, with a long horizontal stroke at the end.

Kenneth M. Darby  
President



# Introduction

The information in this instruction manual covers the installation of the SVFT-UCM Universal Ceiling Mount for the SurveyorVFT Camera Dome System (pendant configuration). This mount should only be installed by a qualified technician using approved materials and wiring practices in accordance with the National Electrical Code ANSI/NFPA 70, state, and local electrical codes. Read these instructions thoroughly before beginning an installation. This mount has only been evaluated for use with UL Listed Vicon Camera Domes. Refer to the Listed Camera Dome's manual for compatibility.

## Installation

---

### Unpacking and Inspection

All Vicon equipment is tested and inspected before leaving the factory. It is the carrier's responsibility to provide suitable delivery. Inspect the cartons upon delivery and, if damage is present, make detailed notes on the carrier's bill. Then, obtain the carrier agent's signature and file a damage claim as soon as possible.

Open the cartons and inspect the equipment for damage. Save the cartons and packing material. If damage is present, contact the carrier and file a damage claim immediately. If the equipment must be returned to Vicon for repair, follow the instructions in the Shipping Information Section of this manual.

---

### Installation Preparation

The SurveyorVFT Camera Dome System is a modular product. The mount, housing, and drive mechanism are separate components. The installation instructions for all the components should be read before beginning the installation of any component. For the SurveyorVFT, refer to the most recent version of XX134.

The SVFT-UCM Ceiling Mount has a welded section of 1-1/2-inch (38 mm) diameter American National Standard Tapered Pipe Thread (NPT-F) coupling. The dome housing is mounted to the SVFT-UCM on this pipe thread in accordance with the installation manual for the camera dome system. The ceiling mount is designed to attach to a ceiling or other horizontal surface. It has a mounting flange with a 4-hole pattern. See Figure 1.

Cabling for power, control, and video must be run to the installation site before the mount is installed, since it is run through the mount to the interior of the dome assembly. The recommended method for cable routing is through the open back and down the pipe to the dome. However, if the mounting surface is solid and impermeable, remove the plug from the access hole and use it to route cables through. A standard 1-inch (25 mm) conduit fitting can be installed in this hole for indoor or outdoor applications.

**Note:** *Place a bead of silicone sealant around the end of the fitting where the wires protrude to ensure a watertight seal.*

**Warning:** *In outdoor applications, seal the perimeter of the mounting flange with a bead of silicone sealant to provide a watertight seal. Failure to prevent water from entering the pipe and dome can result in improper operation and/or damage to the dome.*

## Fastener Guidelines

This mount is designed to be attached with 3/8-inch (metric M9) bolts or lag screws. Bolts should extend through the structure with nuts and washers used on the opposite side. Studs should be either anchored in concrete or welded to steel. If the mount is to be attached to a blind structure, make certain that the fasteners used have a minimum pull-out strength of 1500 pounds (680 kg) each and are locked with washers. Never use lag screws in the end grain of wood.

1. If the surface is concrete, use 3/8-inch diameter lag bolts, flat and lock washers with concrete anchors.
2. If the surface is wood, use 3/8-16 bolts, nuts, flat and lock washers.
3. If the mount is to be attached to wooden beams, use 3/8-inch lag bolts not shorter than 2.5 inches (64 mm) with flat and lock washers.
4. If the mount is to be attached to steel beams or steel plate, use 3/8-16 bolts, nuts, flat and lock washers.

**Note:** Use stainless steel mounting hardware for units mounted outdoors.

## Installation Procedure

1. Select a mounting location that will support the collective weight of the system. The mount weighs 3.3 pounds (1.5 kg). Refer to the appropriate Product Specifications for the weights of the other components in the system.

**Caution:** Mount this unit only to structural materials with sufficient strength to carry the weight of the unit.

2. Mark the locations for drilling the mounting bolt holes by using the mount base as a template.
3. Drill passage holes for the bolts or drill pilot holes for the lag screws.
4. Pass the cables through the horizontal mounting surface as follows for the particular application:
  - a) If the surface is a solid wall, cut a hole just large enough to comfortably pass the cables.
  - b) If the cables are being routed outside the mount's flange, route them through the mount's access hole. Install the conduit fitting, route the cables through the fitting, secure the fitting and place a bead of silicone sealant around the end of the fitting.

**Note:** Verify that the selected mounting location is free of obstacles such as wiring or pipes.

5. Feed the cables through the mount so that at least two feet of cable projects from the end of the threaded pipe. Be careful not to scrape insulation off the cables as they are passed through the mount.
6. For outdoor applications, place a continuous bead of silicone sealant around the flange surface of the mount to prevent water from entering the mount.
7. Line up the mounting holes and attach the mount to the supporting structure.
8. For outdoor applications, place an additional bead of silicone sealant around the perimeter edge of the mount after installation to ensure a watertight seal.

**Note:** Pay particular attention that all gaps are sealed if the SVFT-UCM is mounted to an irregular surface, such as a brick facade.

9. Install the dome housing onto the mount following the instructions in the manual for the camera dome system.
10. For high vandalism areas, lock the dome with the soft tip set screw supplied.

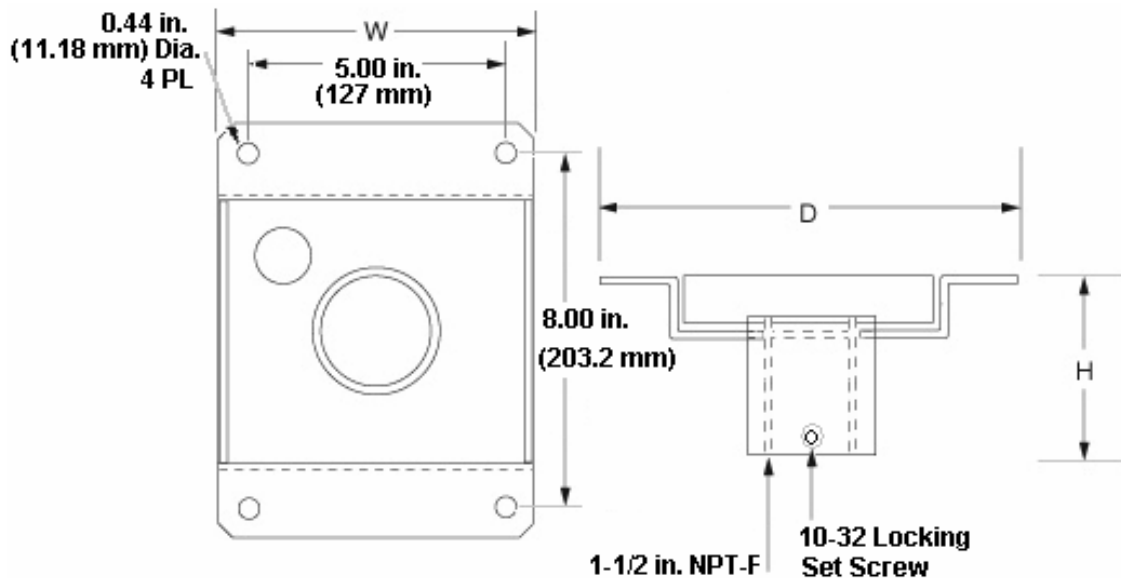
# Technical Information

## MECHANICAL

<b>Application:</b>	Indoor or outdoor.
<b>Mounting:</b>	Ceiling or horizontal structure.
<b>Mounting Thread:</b>	Standard 1-1/2-in. female coupling.
<b>Dimensions:</b>	See Figure 1. Height (H): 3.1 in. (78.7 mm). Width (W): 6.0 in. (152 mm). Depth (D): 9.1 in. (231 mm).
<b>Weight:</b>	3.3 lb (1.5 kg).
<b>Construction:</b>	Carbon steel.
<b>Finish:</b>	Painted light gray polyurethane.

## ENVIRONMENTAL (Not evaluated by UL)

<b>Storage Temperature Range:</b>	-40° to 150° F (-40° to 60° C).
<b>Storage Humidity Range:</b>	0 to 90% relative, noncondensing.



**Figure 1**  
**Maximum Outline Dimensions**

## Vicon Standard Equipment Warranty

Vicon Industries Inc. (the "Company") warrants your equipment to be free from defects in material and workmanship under Normal Use from the date of original retail purchase for a period of three years, with the following exceptions:

1. VCRs, all models: Labor and video heads warranted for 120 days from date of original retail purchase. All other parts warranted for one year from date of original retail purchase.
2. Kollector Elite, Kollector Pro and ViconNet Systems (hardware only), all models: Hard Drives warranted for three years. All other parts warranted for 18 months.
3. AurorAcorD: Hard drives, floppy drives, CD-R/W, DVD drives and any and all archive media warranted for 18 months. All other parts warranted for three years from date of original retail purchase.
4. RAID Storage Devices and Hard Drives, all models: Warranted for one year from date of original retail purchase.
5. Video monitor CRT (cathode ray tube) and LCD monitors, all models: One year from date of original retail purchase.
6. NOVA 1500 CPU: Hard drives, floppy drives, CD-R/W drives and any and all archive media, warranted for 18 months. All other parts warranted for 3 years from date of original retail purchase.
7. Normal Use excludes prolonged use of lens and pan-and-tilt motors, gear heads, and gears due to continuous use of "autopan" or "tour" modes of operation. Such continuous operation is outside the scope of this warranty.

Date of retail purchase is the date original end-user takes possession of the equipment, or, at the sole discretion of the Company, the date the equipment first becomes operational by the original end-user.

The sole remedy under this Warranty is that defective equipment be repaired or (at the Company's option) replaced, at Company repair centers, provided the equipment has been authorized for return by the Company, and the return shipment is prepaid in accordance with policy.

The Company will not be obligated to repair or replace equipment showing abuse or damage, or to parts which in the judgment of the Company are not defective, or any equipment which may have been tampered with, altered, misused, or been subject to unauthorized repair.

**Software supplied either separately or in hardware is furnished on an "As Is" basis. Vicon does not warrant that such software shall be error (bug) free. Software support via telephone, if provided at no cost, may be discontinued at any time without notice at Vicon's sole discretion. Vicon reserves the right to make changes to its software in any of its products at any time and without notice.**

**This Warranty is in lieu of all other conditions and warranties express or implied as to the Goods, including any warranty of merchantability or fitness and the remedy specified in this Warranty is in lieu of all other remedies available to the Purchaser.**

No one is authorized to assume any liability on behalf of the Company, or impose any obligations on it in connection with the sale of any Goods, other than that which is specified above. In no event will the Company be liable for indirect, special, incidental, consequential, or other damages, whether arising from interrupted equipment operation, loss of data, replacement of equipment or software, costs or repairs undertaken by the Purchaser, or other causes.

This warranty applies to all sales made by the Company or its dealers and shall be governed by the laws of New York State without regard to its conflict of laws principles. This Warranty shall be enforceable against the Company only in the courts located in the State of New York.

The form of this Warranty is effective August 2, 2004.

**THE TERMS OF THIS WARRANTY APPLY ONLY TO SALES MADE WHILE THIS WARRANTY IS IN EFFECT. THIS WARRANTY SHALL BE OF NO EFFECT IF AT THE TIME OF SALE A DIFFERENT WARRANTY IS POSTED ON THE COMPANY'S WEBSITE, [WWW.VICON-CCTV.COM](http://WWW.VICON-CCTV.COM). IN THAT EVENT, THE TERMS OF THE POSTED WARRANTY SHALL APPLY EXCLUSIVELY.**

Vicon Part Number: 8006-9010-03-01 Rev 804



# Shipping Instructions

Use the following procedure when returning a unit to the factory:

1. Call or write Vicon for a Return Authorization (R.A.) at one of the locations listed below. Record the name of the Vicon employee who issued the R.A.

Vicon Industries Inc.  
89 Arkay Drive  
Hauppauge, NY 11788  
Phone: 631-952-CCTV (2288); Toll-Free: 1-800-645-9116; Fax: 631-951-CCTV (2288)

For service or returns from countries in Europe, contact:

Vicon Industries (U.K.) Ltd  
Brunel Way  
Fareham, PO15 5TX  
United Kingdom  
Phone: +44 (0)1489 566300; Fax: +44 (0)1489 566322

2. Attach a sheet of paper to the unit with the following information:
  - a. Name and address of the company returning the unit
  - b. Name of the Vicon employee who issued the R.A.
  - c. R. A. number
  - d. Brief description of the installation
  - e. Complete description of the problem and circumstances under which it occurs
  - f. Unit's original date of purchase, if still under warranty
3. Pack the unit carefully. Use the original shipping carton or its equivalent for maximum protection.
4. Mark the R.A. number on the outside of the carton on the shipping label.

## **Vicon Industries Inc.**

### **Corporate Headquarters**

89 Arkay Drive  
Hauppauge, New York 11788  
631-952-CCTV (2288) 800-645-9116  
Fax: 631-951-CCTV (2288)  
&Infifax: 800-287-1207

### **Vicon Europe Headquarters**

Brunel Way  
Fareham, PO15 5TX  
United Kingdom  
+44 (0) 1489 566300  
Fax: +44 (0) 1489 566322

### **Brussels Office**

Planet II - Unit E  
Leuvensesteenweg 542  
B-1930 Zaventem  
Belgium  
+32 (2) 712 8780  
Fax: +32 (2) 712 8781

### **Far East Office**

Unit 5, 17/F, Metropole Square  
2 On Yiu Street, Shatin  
New Territories,  
Hong Kong  
(852) 2145-7118  
Fax: (852) 2145-7117

**Internet Address: [www.vicon-cctv.com](http://www.vicon-cctv.com)**

