



## Valerus Shadow Elite Client Workstations

Powerful viewing stations for business-critical surveillance

Powered by Dell and Intel Technology



### Summary

The Valerus Shadow Elite Client Workstations combine performance, reliability and extensive display power to create the ideal viewing station for any installation. Adaptable for any business-critical video installations, the Shadow Elite Client Workstations are available in three form factors, a micro and small form factor tower that sits comfortably behind a monitor and a 1U-rack for video wall applications.

### Product at a Glance

- ▶ Available in Micro/SFF desktop and 1U-rack supporting 2 or 4 monitors
- ▶ Install quickly with Valerus pre-installed
- ▶ Powered by best-in-class Dell and Intel technology
- ▶ Offers peace of mind with 5-year warranty with next business day, on-site support
- ▶ Supports up to four 4K displays
- ▶ Safeguard your system with SafeBIOS, SafeID, TPM 2.0



#### Powered by Dell & Intel for Machines that Last

- Top-of-the-line components ensure long-lasting performance
- Future-proof your operation with the latest-gen technology



#### Installs in Minutes with Preloaded Valerus Software

- Valerus Client software are pre-installed and pre-tested
- Certified for plug-and-play operation out-of-the-box



#### Backed by a 5-Year Warranty and 24/7 Support

- Includes next business day on-site support
- Covers all components (including HDD)

## Specifications (Vicon-Certified Hardware)

Model	Desktop VECA-MC00N0-00	Desktop VECA-SF00N0-00	Rack-Mount VECA-1U00N0-00
Operating System:	Microsoft® Windows® 10 Enterprise IoT		
CPU/RAM:	Intel® Core® i7 10th Gen, 16 GB DDR4	Intel® Core® i5 12th Gen, 16 GB DDR4	Xeon® 16 GB DDR4
OS Drive:	1x 256 GB SSD		1x 240 GB M.2 SSD
Networking:	1x 1GbE RJ-45		2x 1 GbE; 1x RJ-45 iDRAC
Video:	Intel HD (HDMI+DP); supports dual 4K monitors	Intel HD (3x DP*; 1x HDMI); supports quad 4K monitors	Single VGA
Additional Rear Panel I/O:	4x USB 3.2 Gen 1; 1x Kensington Lock	4x USB 3.2 + 2x USB 2.0; 1x Line-in/Line-out; 1x Kensington Lock	1x USB 2.0; 1x USB 3.0; 1x Serial; 4x mini DP
Front Panel I/O:	1x USB 3.2 + 1x USB 3.2 Type-C; 1x Line Out; 1x Headphone	1x USB 3 + 1x USB Type-C + 1x USB 2; 1x Headphone	1x USB; 1x Micro USB for iDRAC; Power Button; Status LEDs
<b>Electrical</b>			
Power Supply:	1x 65 W external PSU	200 W	600 W
Typical Power Consumption:	60 W (200 BTU)	200 W (650 BTU)	250 W (850 BTU)
Max. Power Consumption:	120 W (400 BTU)	300 W (1000 BTU)	300 W (1000 BTU)
<b>Mechanical</b>			
Application:	Indoor		
Mounting:	Desktop		Rack mount; 1U
Dimensions (HxWxD):	7.17 in. (182 mm) x 1.42 in. (36 mm) x 7.02 in. (178.6 mm)	11.42 in. (290.1 mm) x 3.65 in. (92.7 mm) x 11.53 in. (292.9 mm)	1.7 in. (42.8 mm) x 19 in. (483 mm) x 23.58 in. (598.9 mm) (with bezel)
Weight:	2.56 lb (1.16 kg)	8.44 lb (3.83 kg)	29.98 lb (13.6 kg)
Construction:	Steel and plastic		
<b>Environmental</b>			
Operating Temperature:	50° to 95° F (10° to 35° C)	50° to 113° F (10° to 45° C)	50° to 95° F (10° to 35° C)
Relative Humidity:	20 to 80% relative, non-condensing		5 to 95% relative, non-condensing
Country of Origin:	Mexico		

\*USB to HDMI and USB to Serial adapters included.

## Ordering Information Scheme

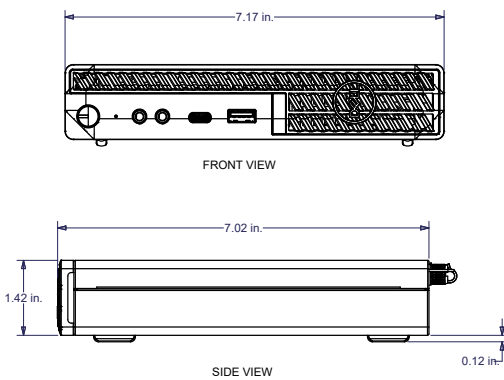
Model	Mounting Type	Model Number
Workstation for viewing and operating Valerus VMS	Micro Form Factor	VECA-MC00N0-00
	Small Form Factor	VECA-SF00N0-00
	1U Rack-Mount	VECA-1U00N0-00

## Client Workstation: Micro Form Factor Model (supports dual 4K monitors)

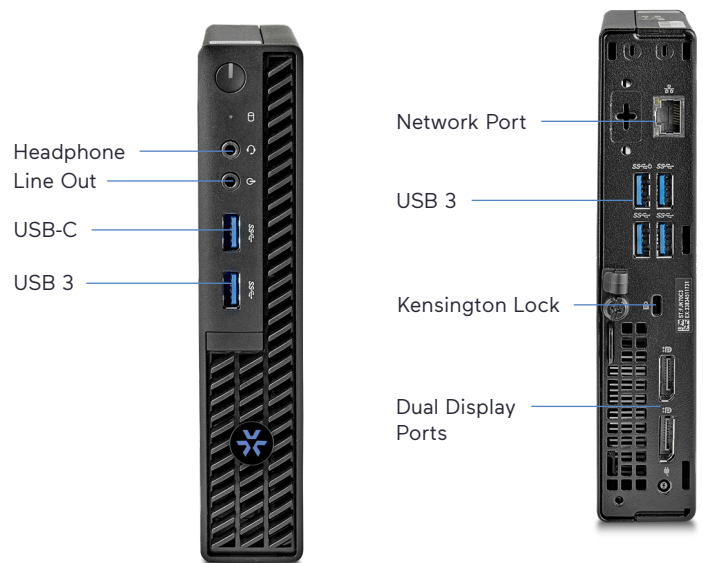
Includes five year NBD onsite KYHD (Keep Your Hard Drive) warranty with UL/FCC/CE and other required certifications.

Model	Storage
VECA-MC00N0-00	No storage

### Dimensional Drawing



### Front and Rear Panel Controls and Connectors



### Display Performance

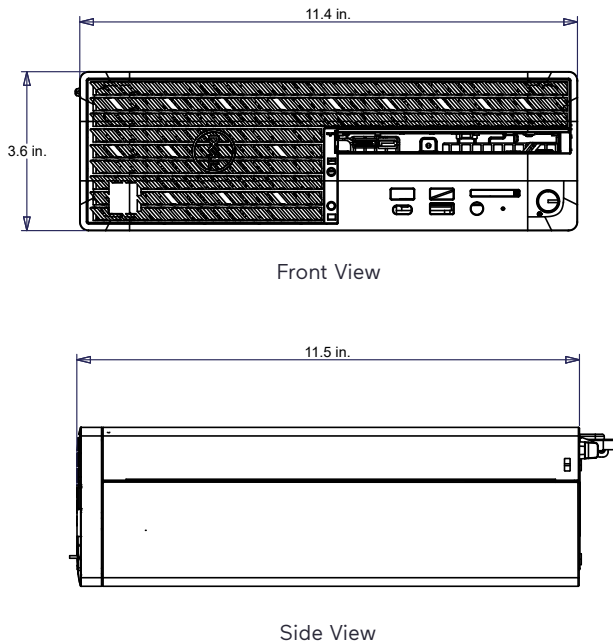
Resolution	Web Client						Desktop Client					
	Maximum Cameras Across All Monitors											
	H.264	H.265	H.264	H.265	H.264	H.265	H.264	H.265	H.264	H.265	H.264	H.265
Type	30 FPS		15 FPS		7 FPS		30 FPS		15 FPS		7 FPS	
D1 (720x480)	1	1	4	4	10	10	50	39	72	72	72	72
HD (1280x720)	1	1	4	3	6	5	25	21	72	72	72	72
Full HD (1920x1080)	1	1	3	2	4	3	18	18	45	59	72	72
Quad HD (2048x1536)	1	1	2	2	4	3	12	11	29	41	72	72
Super HD (2592x1944)	1	1	1	1	2	2	9	8	23	35	38	61
4K (3840x2160)	1	1	1	1	1	1	6	4	12	22	28	50

## Client Workstation: Small Form Factor Model (1 Data Drive; supports quad 4K monitors)

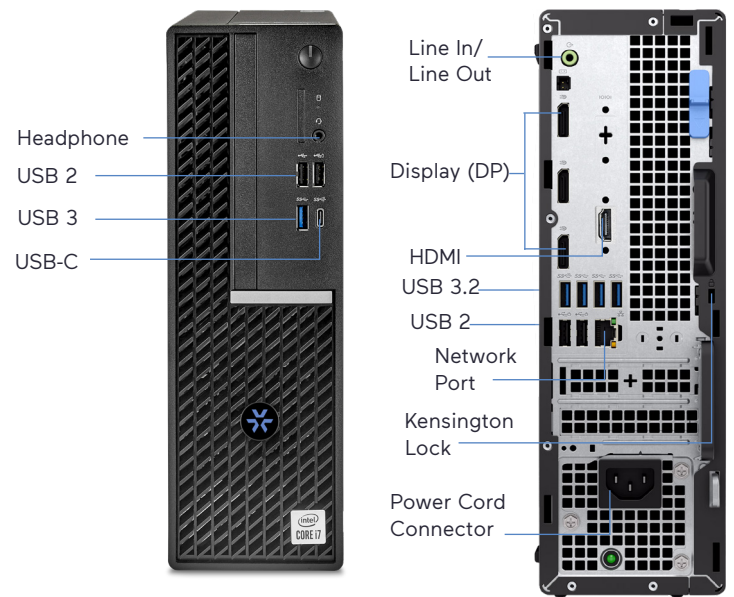
Includes five year NBD onsite KYHD (Keep Your Hard Drive) warranty with UL/FCC/CE and other required certifications.

Model	Storage
VECA-SF00N0-00	No storage

### Dimensional Drawing



### Front and Rear Panel Controls and Connectors



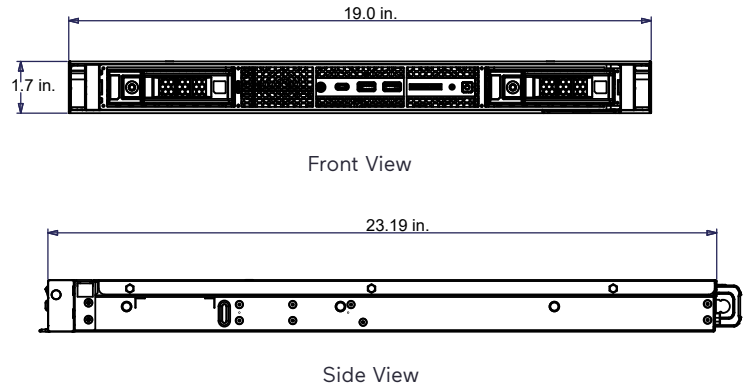
### Display Performance

Resolution	Web Client						Desktop Client					
	Maximum Cameras Across All Monitors											
	H.264	H.265	H.264	H.265	H.264	H.265	H.264	H.265	H.264	H.265	H.264	H.265
Type	30 FPS		15 FPS		7 FPS		30 FPS		15 FPS		7 FPS	
D1 (720x480)	32	30	48	45	50	48	41	47	68	72	95	100
HD (1280x720)	25	16	46	29	48	46	34	45	65	62	93	96
Full HD (1920x1080)	15	10	26	16	42	30	18	29	33	55	68	75
Quad HD (2048x1536)	12	8	19	12	38	24	12	20	23	39	58	70
Super HD (2592x1944)	9	6	16	10	23	12	8	14	20	28	31	54
4K (3840x2160)	7	2	9	6	16	11	5	8	10	18	19	42

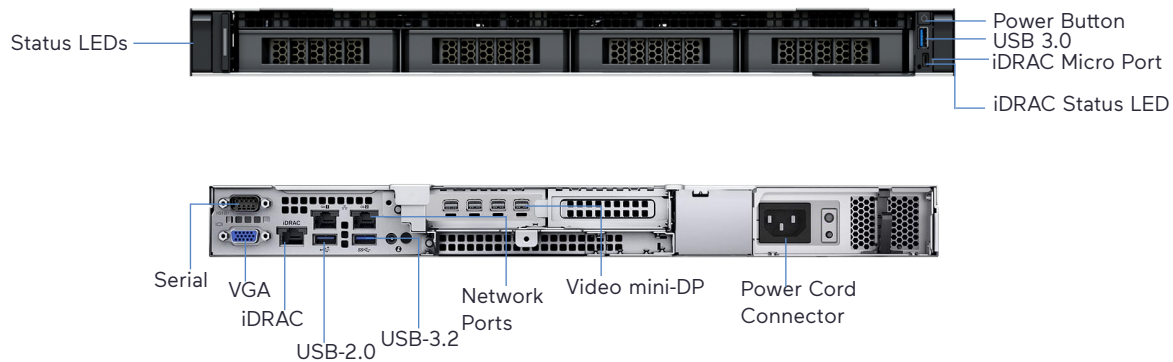
## Client Workstation: 1U Rack-Mount Model (2 Data Drives; supports quad 4K monitors)

Includes five year NBD onsite KYHD (Keep Your Hard Drive) warranty with UL/FCC/CE and other required certifications.

## Dimensional Drawing



## Front and Rear Panel Controls and Connectors



## Display Performance

Resolution	Web Client						Desktop Client					
	Maximum Cameras Across All Monitors											
	H.264	H.265	H.264	H.265	H.264	H.265	H.264	H.265	H.264	H.265	H.264	H.265
Type	30 FPS		15 FPS		7 FPS		30 FPS		15 FPS		7 FPS	
D1 (720x480)	37	29	45	36	48	46	45	48	82	90	127	135
HD (1280x720)	28	15	48	28	48	45	42	37	60	68	90	108
Full HD (1920x1080)	16	10	30	15	43	29	22	35	38	55	72	100
Quad HD (2048x1536)	13	7	19	12	38	23	14	26	31	50	61	80
Super HD (2592x1944)	8	5	15	8	22	13	10	17	22	33	34	72
4K (3840x2160)	6	2	10	5	14	11	6	9	12	23	22	56

Data Sheet Number: V323-31-02

Vicon Data Sheet Number: 8009-7323-31-02

Specifications subject to change without notice.

Vicon and their logos are registered trademarks of Vicon Industries Inc.

Copyright © 2024 Vicon Industries Inc. All rights reserved.

Intel, Core and Xeon are trademarks or registered trademarks of Intel Corporation.

Microsoft and Windows are registered trademarks of Microsoft Corporation.